



User Manual

Benutzerhandbuch
Manuel de l'utilisateur
Manuale per l'utente
Manual del Usuario
Manual do Usuário
ユーザーマニュアル



IMPORTANT INSTRUCTIONS PLEASE READ THIS FIRST!

Thank you for your Sidekick® Sharpener purchase.
Please read the following instructions before operating your Sidekick Sharpener.

USE CAUTION WHEN REMOVING & REPLACING THE SHARPENING STONE.

STONE REMOVAL

When removing the sharpening stone, it is recommended to use a dressing plier to gently pry under one corner of the stone to facilitate removal. **BE SURE TO PRY ONLY UNDER THE STONE FOR REMOVAL. DO NOT PLACE THE DRESSING PLIER UNDER THE METAL CLIP.** Prying (or forcing anything) under the metal clip will bend and damage the stone clip which will significantly impair operation.

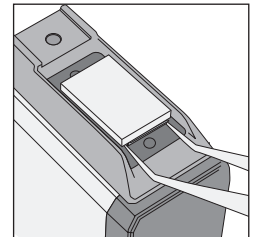
INSERTING OR REPLACING STONE

When replacing the stone **USE CAUTION TO ALIGN THE STONE “INSIDE ALL FOUR WINGS”** of the clip before gently pressing the stone back into place. Exerting pressure on the stone in an incorrect position (i.e., not aligned inside all four wings of the clip) will damage the stone clip, which will significantly impair operation of your Sidekick Sharpener.

ADDITIONAL INSTRUCTIONS

For additional instructions on stone removal/replacement refer to your:

- **Sidekick User Manual**
See Section VII A. Sharpening Stone and Guideplate Maintenance
- **Sidekick Instructional CD-ROM**
See Cleaning and Care Section



Following these instructions will ensure trouble-free operation of your Sidekick Sharpener.

If you have additional questions please contact Hu-Friedy Technical Services Sidekick Support Hotline at 1-888-456-7895.



The Sidekick sharpener is designed to perform routine maintenance sharpening of scalers and curesttes. It is **not** designed to recondition severely dull instruments. For instruments that are very dull, a professional sharpening service is recommended. Light sharpening on a regular basis with the Sidekick sharpener will keep instruments sharp. Proper use and maintenance of your Sidekick sharpener will ensure peak performance. This guide contains instructions for this easy-to-use product.

I. ACCESSORIES

The Sidekick sharpener is delivered with the following accessories:

- Instructional CD-ROM
- User Manual
- Quick Start Guide
- Sharpening Stone – Ceramic
- Plastic Test Stick
- Magnifying Lens

II. GENERAL SAFETY AND MAINTENANCE INSTRUCTIONS

Please read and understand all safety and operating instructions carefully before using the Sidekick sharpener.

A. General Safety

- Use safety glasses at all times when sharpening instruments.
- Use the Sidekick sharpener only for its intended purpose: maintenance/routine sharpening of periodontal instruments - Sickle Scalers, Universal Curettes and Gracey Curettes.
- The Sidekick sharpener is intended for use in a non-sterile environment.
- Place Sidekick sharpener on a secure surface while the unit is in operation.
- The only prerequisite for sharpening instruments with the Sidekick sharpener is basic knowledge of periodontal instruments and instrument design.

B. Electrical Safeguards

- 2 AA alkaline batteries operate the unit.
- **DO NOT IMMERSE** unit in water or any kind of liquid.



C. Service

Do not attempt to service or repair the product yourself; doing so will void the limited warranty. If service is required, contact an authorized Hu-Friedy dealer or Hu-Friedy Mfg. Co., LLC, 3232 N. Rockwell St., Chicago, IL 60618 USA; Toll Free (US & Canada) 1-800-Hu-Friedy (800-483-7433). Outside the U.S. and Canada call 773-975-6100.

D. Cleaning

Turn power off (○) before cleaning the unit. Remove the stainless steel Guideplate, Guideplate Screw and Sharpening Stone for cleaning and sterilization of these items. Steam autoclave is recommended for sterilization. Do not heat above 350° F/177° C. See section VII: Sharpening Stone and Guideplate Maintenance for more information on cleaning and care for your Sidekick sharpener.

DO NOT STERILIZE ENTIRE SIDEKICK SHARPENER UNIT.

To clean the Sidekick sharpener unit, wipe outer surface with pH neutral surface disinfectant or mild detergent, being careful not to saturate moving parts of the unit (power switch, reciprocating stone fixture).

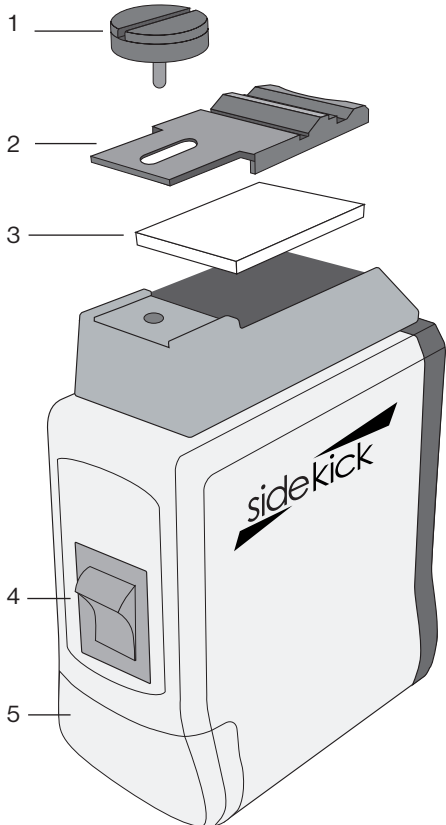
To clean the stone holding clip area, remove the stone as described in section VII: Sharpening Stone and Guideplate Maintenance. Use a cotton swab to wipe any excess sludge or oil (if using Arkansas stone) from around this area.



III. PARTS

A. Operating Parts of the Sidekick sharpener

1. Guideplate Screw
2. Guideplate
3. Sharpening Stone
4. On/Off Switch
5. Battery Compartment



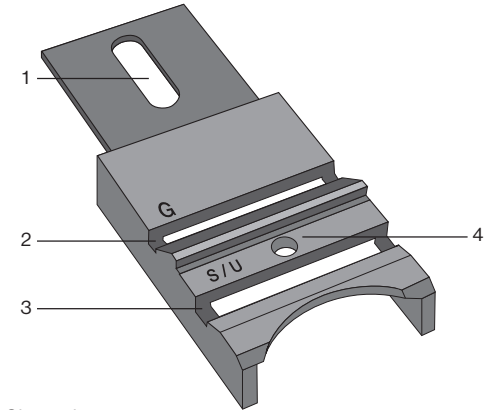
Replacement Parts*

| | |
|-----------------------|------------|
| Guideplate Screw | SDKGPSCREW |
| Guideplate | SDKGPLATE |
| Ceramic Stone | SDKSTONEC |
| Arkansas Stone | SDKSTONEA |
| Sharpen-EZ™ Stone Oil | SSO |
| Plastic Test Stick | PTS-IND |
| Magnifying Lens | LENS |
| Stone Clip | SDKCLIP |

*Available through authorized Hu-Friedy Dealers

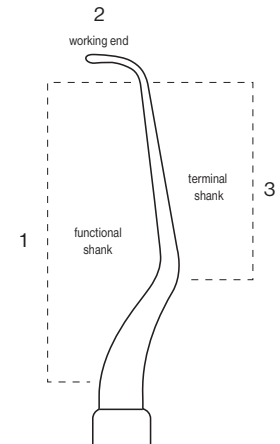
B. Guideplate and Guide Channels

1. Guideplate Screw Slot
2. Gracey Curette Guide Channel
3. Sickle/Universal Curette Guide Channel
4. Toe Guide



C. Instrument Design

1. Functional Shank
2. Working End
3. Terminal Shank



IV. GETTING STARTED

1. Remove battery compartment cover and remove batteries. Remove protective plastic wrap from the batteries and place the batteries back into the Sidekick sharpener in correct position as indicated. Replace battery compartment cover. (Figure 1)
2. Remove Guideplate Screw and Guideplate and place stone in the stone holding clips. Replace Guideplate and Guideplate Screw. **CAUTION: DO NOT BEND LATERAL SIDE CLIP(S) WHEN REMOVING OR REPLACING STONE.** (Figure 2)
3. Turn button to “ON” position to start the unit. Begin sharpening. (Figure 3)

V. GUIDEPLATE BASICS

A. Guideplate Channels (Figure 4)

The Guideplate channels are the key to creating reproducible sharp blade edges every time. There are two channels for different instruments and a toe guide:

1. **S/U** Channel: For **S**ickle Scalers and **U**niversal Currettes
2. Toe Guide: for Gracey Currettes and Universal Currettes
3. **G** Channel: For **G**racey Currettes

B. Key Elements of the Guideplate Channel

(Figures 5 and 6)

Each channel has two areas of contact with the instrument. The back (or undersurface) of the blade rests on a Vertical Backstop (Figure 5) and the terminal shank rests on a Terminal Shank Guide (Figure 6).

VI. POSITIONING INSTRUMENTS FOR SHARPENING

A. Sickle Scaler (Figures 7 and 8)

Sickle Scaler Features

- Two cutting edges
- The facial surface is angled at 90 degrees to the terminal shank
- Curved or straight blade that ends in a sharp point

Sharpening (Figure 9)

1. Turn unit to on (I) position.
2. Start by placing the middle of the back (or undersurface) of the blade against the Vertical Backstop (**A**) of the S/U Guideplate Channel.
3. Maintain contact with the Vertical Backstop (**A**) and rest the terminal shank onto the angled Terminal Shank Guide (**B**). In this position, the lateral side of the blade will be against the stone for sharpening. The positioning of the Sickle Scaler is the same for a curved or straight blade.
4. Glide the blade back and forth along the full length of the channel keeping the undersurface against the vertical backstop. Preserve the original shape of the blade by slightly “rocking” the blade to insure distinct stone contact with all 3 sections of the blade; heel, middle, toe. Maintain constant contact with both the Vertical Backstop (**A**) and the Terminal Shank (**B**). Use very light pressure to move the blade back and forth across the stone until the instrument is sharp

Note: DO NOT apply excessive pressure against the reciprocating stone – this will cause unnecessary wear on the motor and will shorten the expected life of your Sidekick sharpener.

5. To check for sharpness (Figure 10), hold the Sickle Scaler in your dominant hand with the side of the blade against the plastic test stick and the terminal shank parallel to the test stick. Lean the terminal shank toward the test stick to achieve correct blade angulation and apply moderate pressure. A sharp cutting edge will bite into the test stick.

B. Universal Curette (Figure 3)

Universal Curette Features

- Blade is designed with two cutting edges and a rounded toe for use on all surfaces
- The facial surface is angled at 90 degrees to the terminal shank
- Sharpen both edges and toe

Sharpening (Figure 9)

1. Turn unit to on (I) position.
2. Place the middle of the back (or undersurface) of the instrument blade on the Vertical Backstop (A) of the S/U Guideplate Channel.
3. Maintain contact with the Vertical Backstop (A) and rest the terminal shank onto the angled Terminal Shank Guide (B). In this position, the lateral side of the blade will be against the stone for sharpening.
4. Move the lateral surface of the blade against the stone with light pressure while maintaining contact with both the Vertical Backstop (A) and the Terminal Shank Guide (B). Repeat the back and forward motion across the stone 2-3 times or until the instrument is sharp. Reposition the blade with the toe in the opposite direction to sharpen the other cutting edge on that same blade and repeat. It may be necessary to change your grasp and fulcrum position.
5. To sharpen the toe of the blade (Figure 12), direct the toe into the Toe Guide (C) on the Guideplate. Keep the back (or undersurface) of the blade resting against the posterior side of the hole, with light pressure, slowly roll the instrument handle between your fingers to sharpen around the toe.
6. To check for sharpness (Figure 10), hold the Universal Curette in your dominant hand with the side of the blade against the plastic test stick and the terminal shank parallel to the test stick. Lean the terminal shank toward the test stick to achieve correct blade angulation and apply moderate pressure. A sharp cutting edge will bite into the test stick.

C. Gracey Curette (Figure 13)

Gracey Curette Features

- Offset blade angulation
- Facial surface is angled at 70 degrees to the terminal shank
- Only the lower cutting edge of the blade is sharpened
- Rounded Toe

Sharpening (Figures 14 and 15)

1. Turn unit to on (I) position.
2. Place the middle of the back of the instrument blade on the Vertical Backstop (D) of the G Guideplate Channel.
3. Maintain contact with the Vertical Backstop (D) and rest the terminal shank onto the angled Terminal Shank Guide (E). In this position, the lateral side of the blade will be against the stone for sharpening.
4. Move the lateral surface of the blade against the stone with light pressure while maintaining contact with both the Vertical Backstop (D) and the Terminal Shank Guide (E). Glide the back (or undersurface) of the blade back and forth along the full length of the channel until the instrument is sharp.
5. To sharpen the toe of the blade (Figure 12), direct the toe into the Toe Guide (C) on the Guideplate. Place the back (or undersurface) of the blade against the posterior side of the hole. With light pressure, roll the instrument handle between your fingers to sharpen around the toe.
6. To check for sharpness (Figure 10), hold the Gracey Curette in your dominant hand with the side of the blade against the test stick and the terminal shank parallel to the test stick. Lean the terminal shank toward the test stick to achieve correct blade angulation and apply moderate pressure. A sharp cutting edge will bite into the test stick.



VII. SHARPENING STONE AND GUIDEPLATE MAINTENANCE

A. Removal *(Figure 16)*

To remove the stone from the reciprocating stone clips, gently pry one corner of the stone up to release the clip pressure and then remove the stone completely. **CAUTION:** Take care to pry under the stone only. Do not pry under the clip – bending the clip can hinder operation. Dressing Pliers work well to assist with this task.

B. Cleaning and Sterilization

Cleaning and sterilization should be done after each use. To clean the sharpening stone, guideplate and screw, hand scrub or ultrasonically clean. Then the sharpening stone, guideplate and screw should be heat sterilized. Steam autoclave is recommended for sterilization. Do not heat above 350 °F/177 °C. Visit Hu-Friedy.com for more information on care and maintenance.

Light debris or discoloration may remain on the stone even after cleaning – this is normal and will not affect the performance of the stone.

C. Replacement

The stone will wear with normal use. Grooves on the large surface of the stone may occur over time. When the stone exhibits this type of wear it is time to replace the stone.

See III for available replacement stones and parts

Ceramic Stone – (SDKSTONEC)

Included with unit. Requires no lubrication.

Arkansas Stone – (SDKSTONEA)

Sold separately. It is recommended to use light oil like Hu-Friedy Sharpen-EZ™ Stone Oil (SSO) with the Arkansas Stone.

D. Extending Stone Life

The stone may be used on both sides. It is recommended to use alternate sides after each cleaning of the stone. This will allow for even wear of the stone and maximize the life of each stone.



VIII. BATTERY LIFE

Two AA alkaline batteries are included with your Sidekick sharpener unit. The batteries will require replacement periodically. The hours of use per set of batteries is highly dependent upon utilization patterns. If the unit will not be used for an extended period of time, it is recommended that the batteries be removed from the unit before storage.

IX. LIMITED WARRANTY

Hu-Friedy Mfg. Co., LLC, at its option, will repair or replace for a period of one year following date of purchase any Sidekick sharpener that is defective because of material failure or workmanship and/or due to material failure or workmanship of the internal and/or moving components. Hu-Friedy is not responsible for the repair or replacement of any Hu-Friedy product that has been tampered with, modified or refitted in any manner. Purchaser must return the defective Sidekick sharpener (F.O.B. Hu-Friedy, Chicago, IL) and must have previously provided Hu-Friedy with the registration card enclosed.

THE EXPRESSED WARRANTY DESCRIBED HEREIN AND ANY APPLICABLE IMPLIED WARRANTIES, INCLUDING WARRANTIES OF MERCHANTABILITY AND FITNESS, ARE LIMITED AS HEREIN ABOVE STATED. DAMAGES FROM BREACH OF SUCH WARRANTIES ARE LIMITED TO THE COST OF REPAIR OR REPLACEMENT, AT HU-FRIEDY'S OPTION. CONSEQUENTIAL OR INCIDENTAL DAMAGES RESULTING FROM BREACH OF ANY APPLICABLE EXPRESSED OR IMPLIED WARRANTIES ARE HEREBY EXCLUDED.

This warranty gives you specific legal rights. You may also have other rights which vary from state to state.

Hu-Friedy disclaims liability under this warranty or otherwise for damages arising due to user negligence, misuse or alterations to the sharpener.

This warranty does not cover:

- External causes such as accident, abuse or misuse or electrical power problems
- Servicing not authorized by Hu-Friedy Mfg. Co., LLC
- Usage of accessories or components not supplied by Hu-Friedy
- Units with missing or altered serial numbers
- Disassembly of the unit by user voids the warranty
- Entire units which have been run through a sterilizer or immersed in a liquid of any kind

Sidekick® Sharpener Registration Form

Please complete and mail this form in order
to register your Sidekick Sharpener

Purchaser's name: _____

Serial Number: (Located on purple plate) _____

Telephone: _____

Address: _____

City: _____

State/Province: _____

Zip/Postal Code: _____

Country: _____

Fax: _____

Date of Purchase: _____

Email: _____

Number of Practitioners In Practice:

Dentists _____ Hygienists _____ Assistants _____

Dental Specialty: _____

Dealer Name: _____

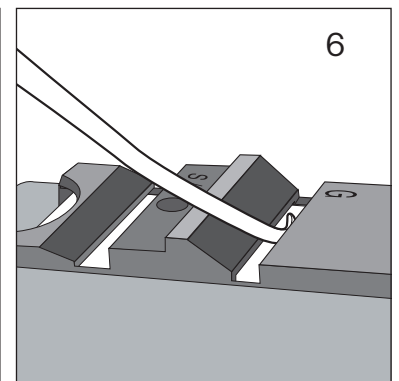
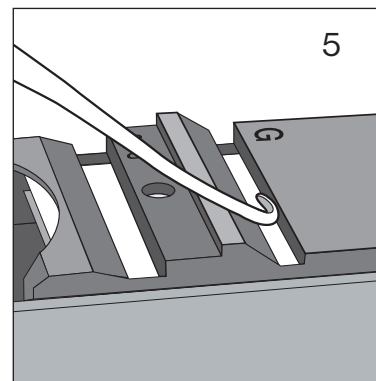
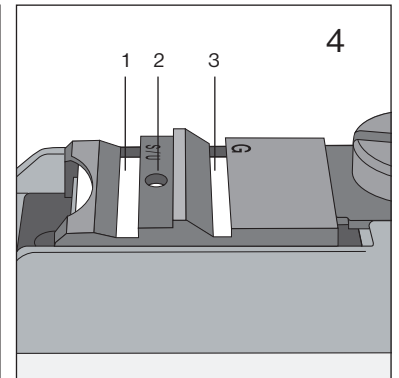
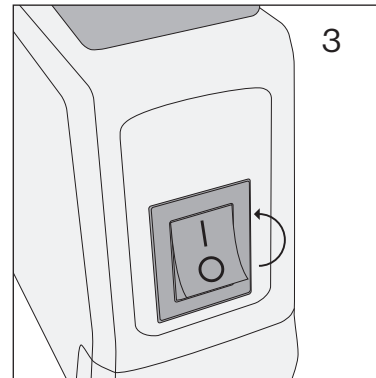
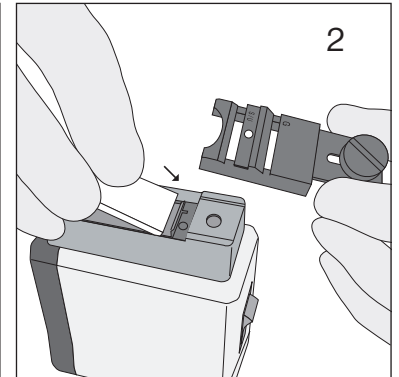
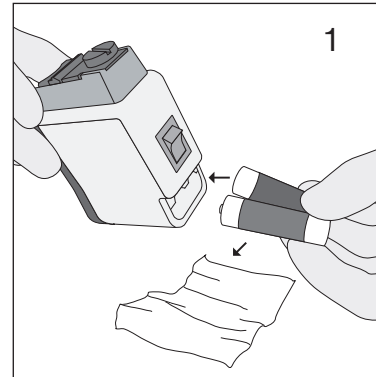
Mail to:

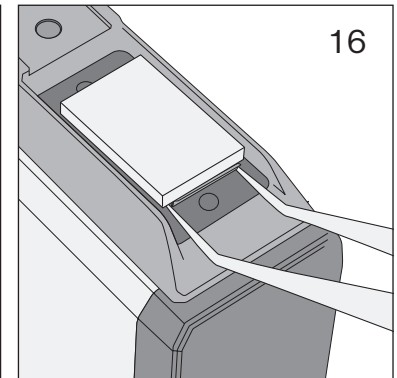
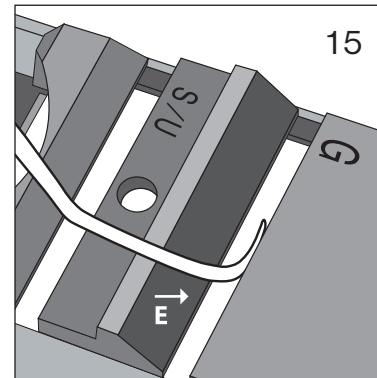
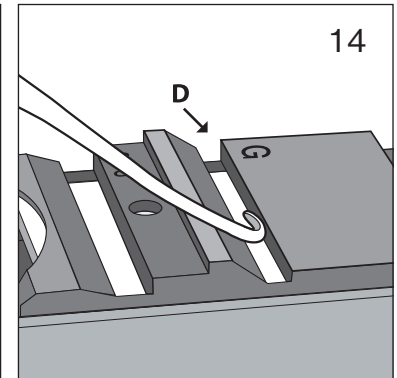
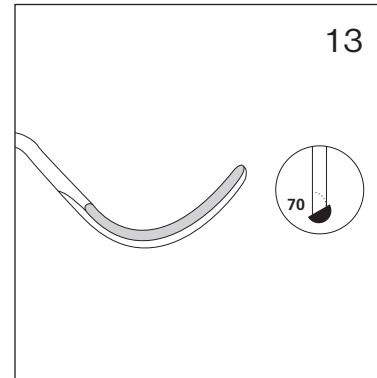
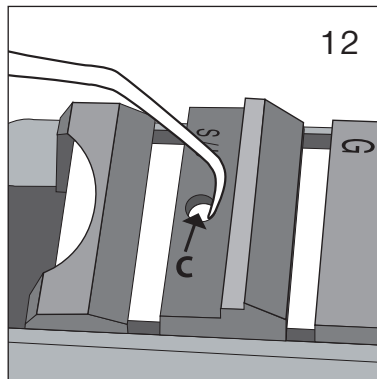
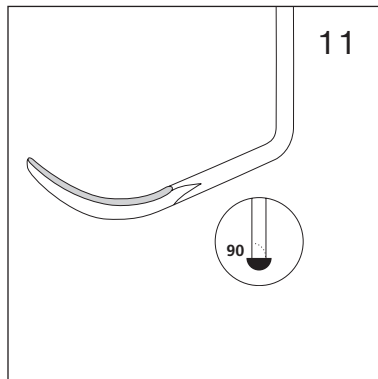
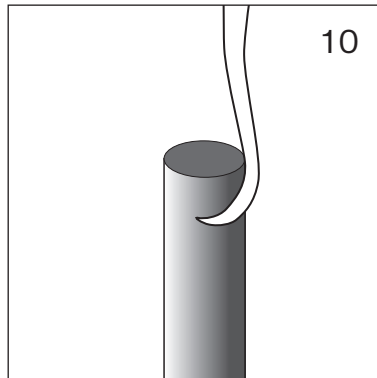
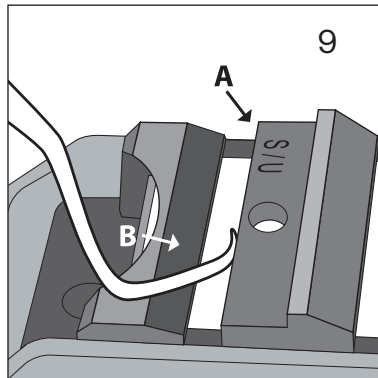
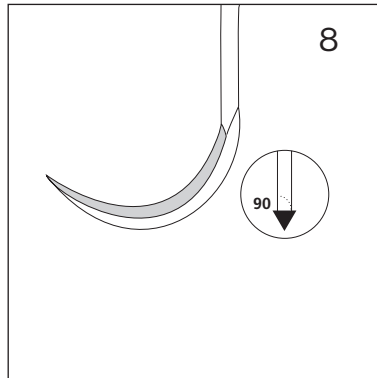
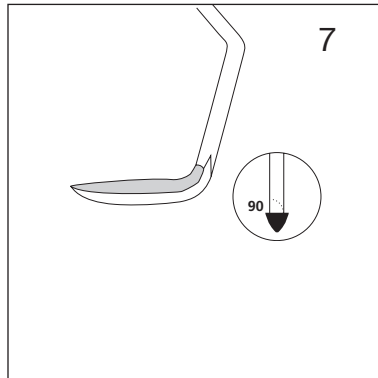
Sidekick Registration
Hu-Friedy Mfg. Co., LLC
3232 N. Rockwell St.
Chicago, IL 60618 USA



THANK YOU!









Hu-Friedy[®]

©2011 Hu-Friedy Mfg. Co., LLC. Hu-Friedy, the Hu-Friedy oval logo and Sidekick are registered trademarks of Hu-Friedy Mfg. Co., LLC, registered in the USPTO.

Hu-Friedy Mfg. Co., LLC
3232 N. Rockwell St.
Chicago, IL 60618

1-800-Hu-Friedy
Hu-Friedy.com



Hu-Friedy Mfg. Co., LLC
Zweigniederlassung Deutschland
Ziegeleiweg 1
D-78532 Tuttlingen-Möhringen
Hu-Friedy.de



C7271/0311